

TaskBot

Building Instructions

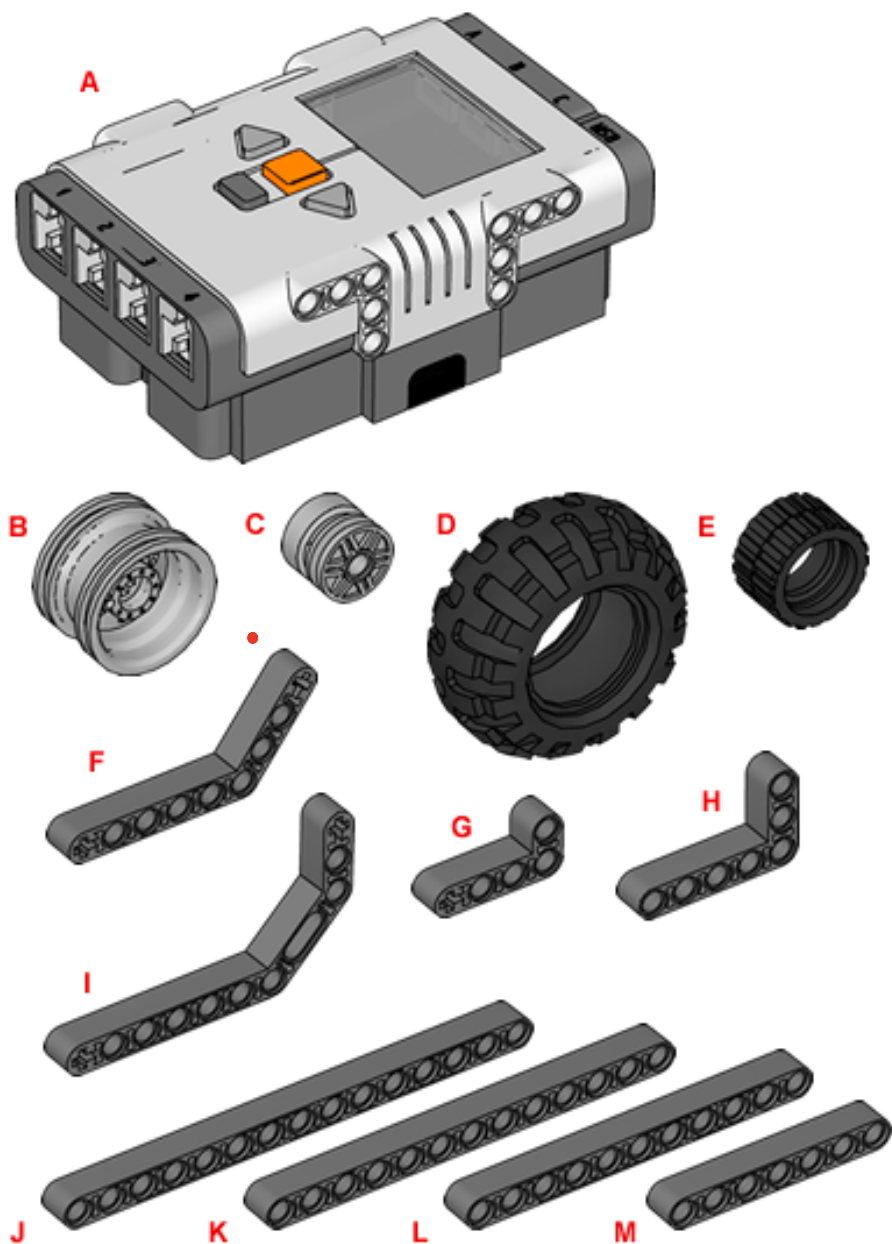


Parts Page 1

- (A)** 1x NXT Brick
- (B)** 2x 30x20 Hub
- (C)** 1x 18x14 Hub
- (D)** 2x 56x26 Tire
- (E)** 1x 24x14 Tire
- (F)** 2x 4x6 Angular Beam
- (G)** 4x 4x2 Angular Beam
- (H)** 4x 3x5 Angular Beam
- (I)** 4x 3x7 Angular Beam
- (J)** 1x 15-Module Beam
- (K)** 1x 13-Module Beam
- (L)** 1x 11-Module Beam
- (M)** 2x 7-Module Beam

(A) = Part Number

1x = Amount Needed

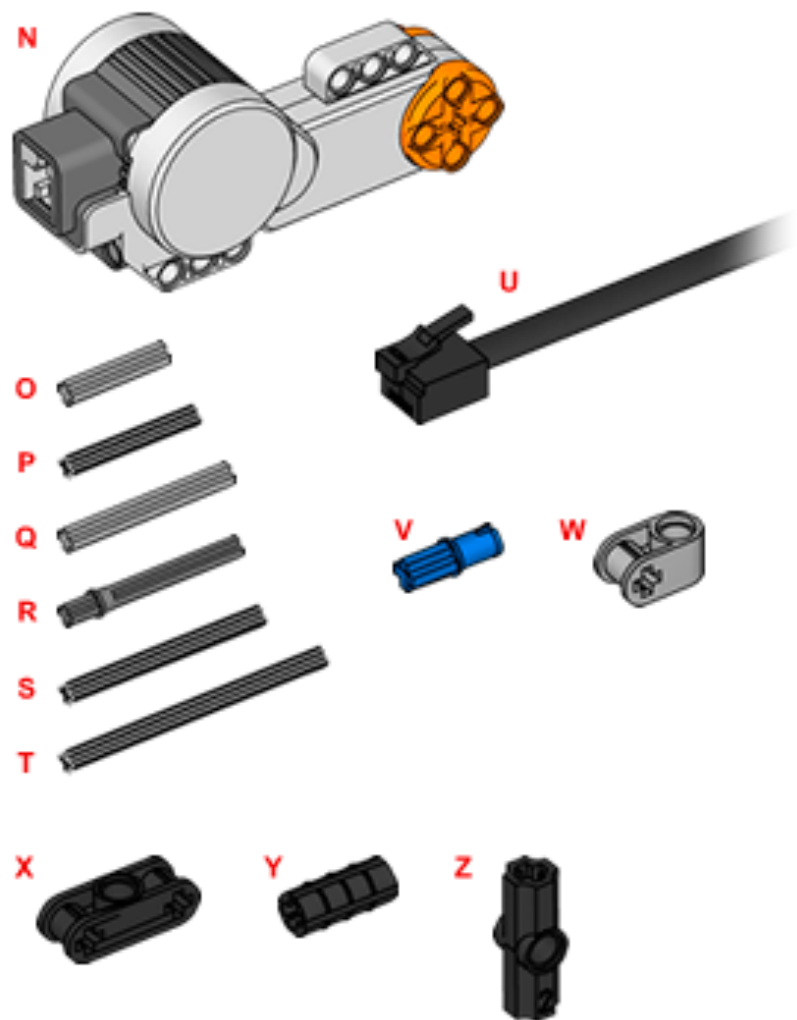


Parts Page 2

- N** 2x NXT Servo Motor
- O** 5x 3-Module Axle
- P** 5x 4-Module Axle
- Q** 4x 5-Module Axle
- R** 2x 5½-Module Axle
- S** 3x 6-Module Axle
- T** 1x 8-Module Axle
- U** 2x Cable
- V** 6x Connector Peg with Friction Axle
- W** 12x 2-Module Cross Block
- X** 3x Double Cross Block
- Y** 4x Axle Extender
- Z** 2x 180° Angular Block

A = Part Number

1x = Amount Needed



Parts Page 3

- AA** 4x 16-Tooth Gear
- BB** 6x Bushing
- CC** 5x 1/2-Module Bushing
- DD** 6x Connector Peg with Bushing
- EE** 10x 3-Module Connector Peg with Friction
- FF** 10x Connector Peg with Friction

A = Part Number

1x = Amount Needed



DD

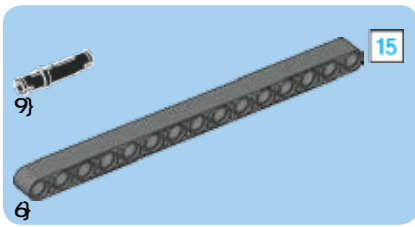


EE

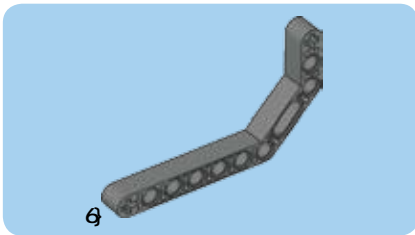
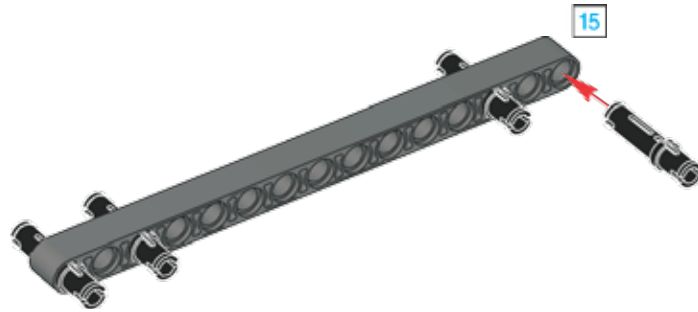


FF

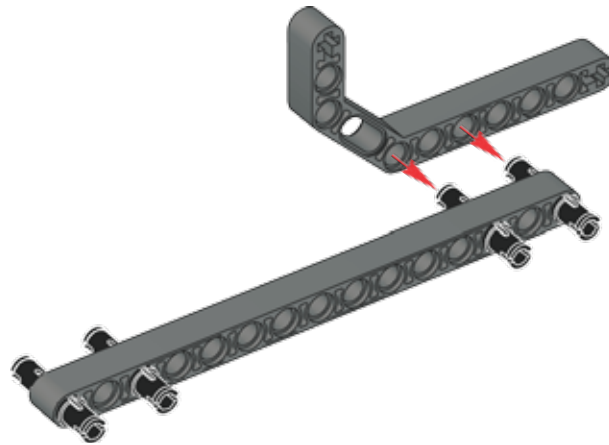


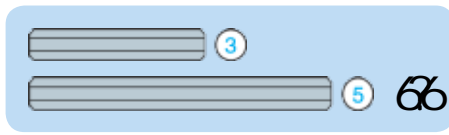
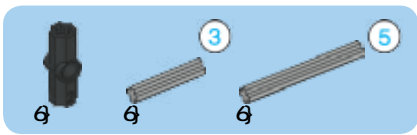


6

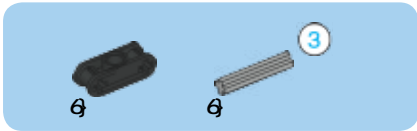
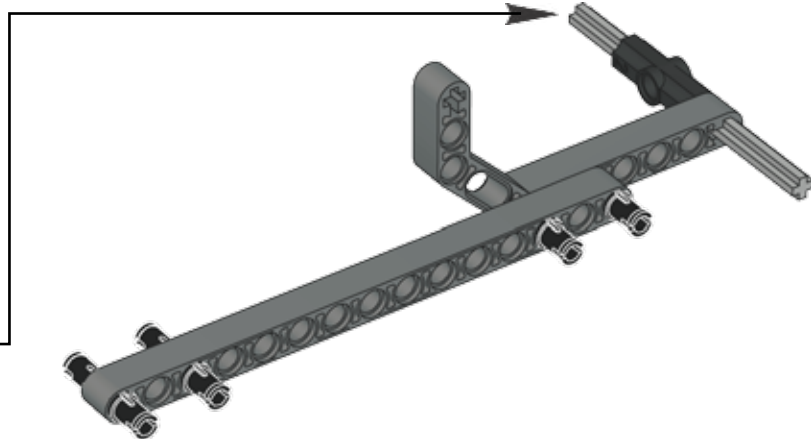
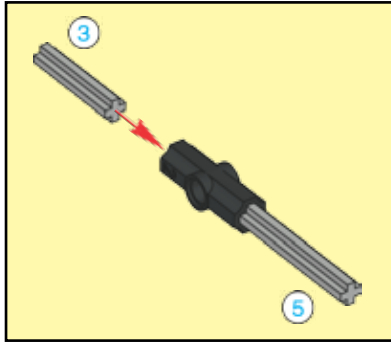


7

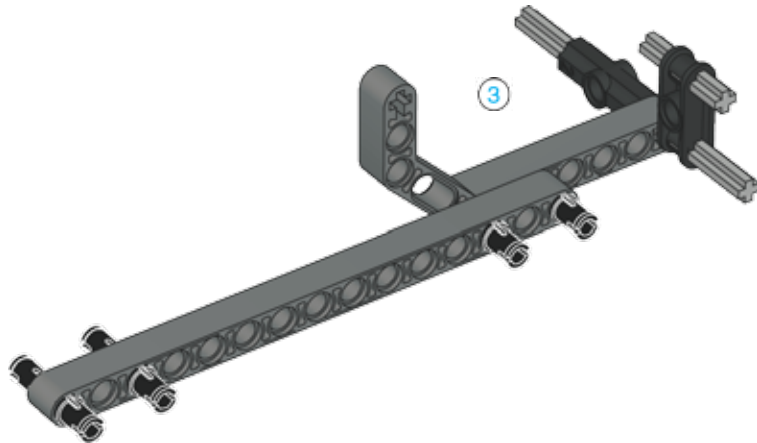


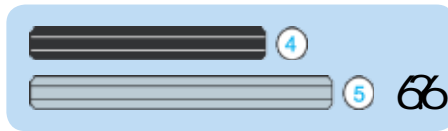
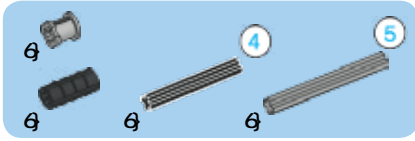


8

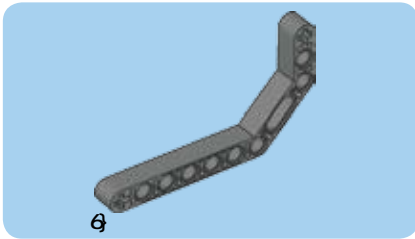
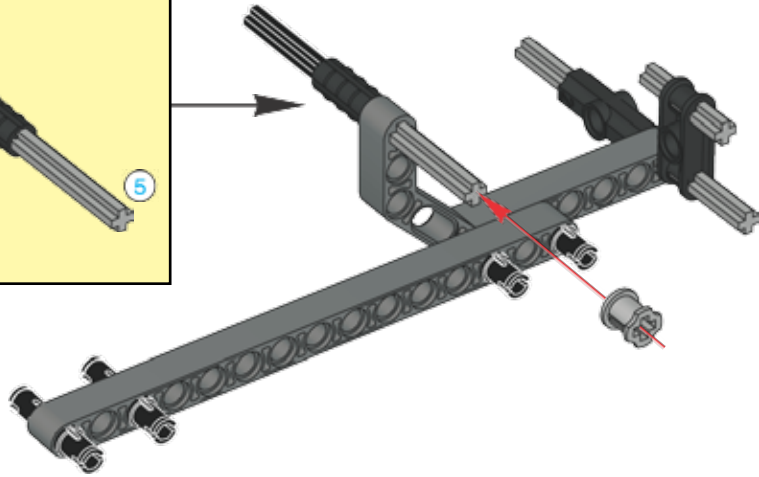
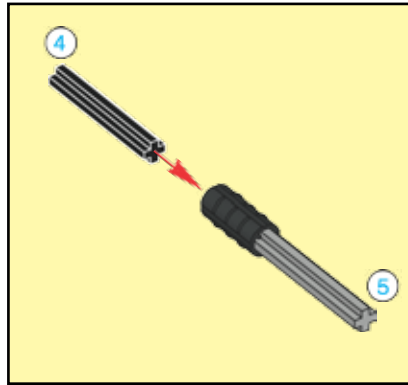


9

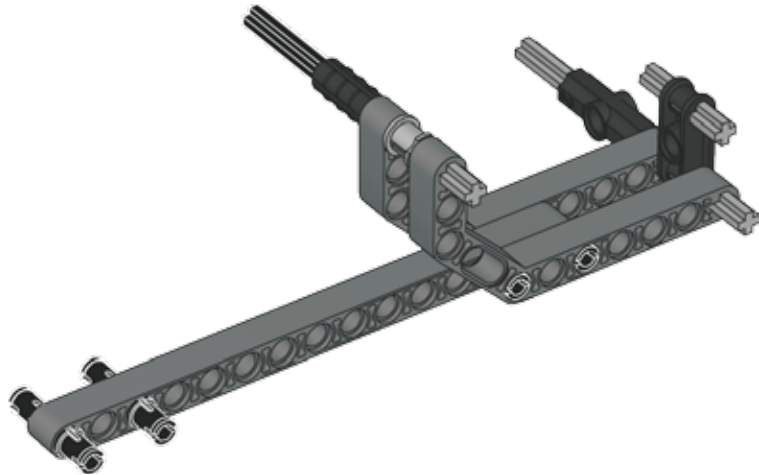


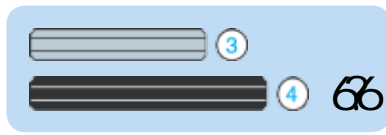
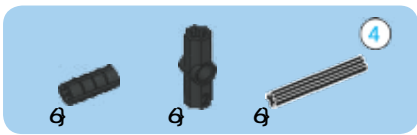


•
•

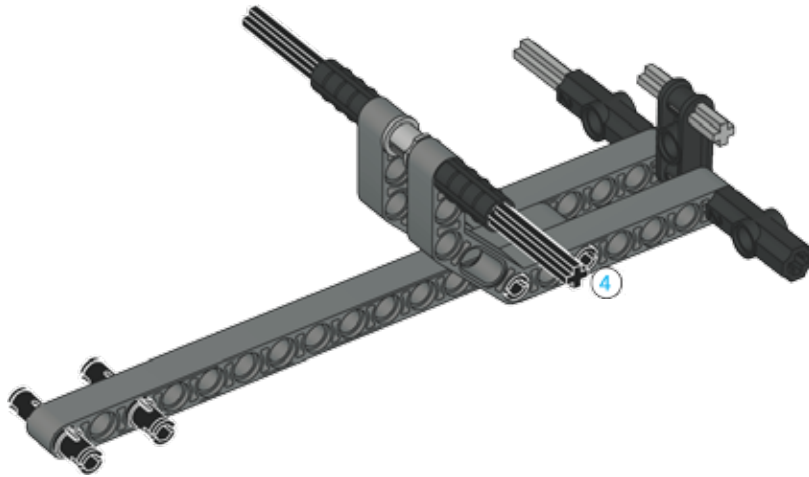


•
/

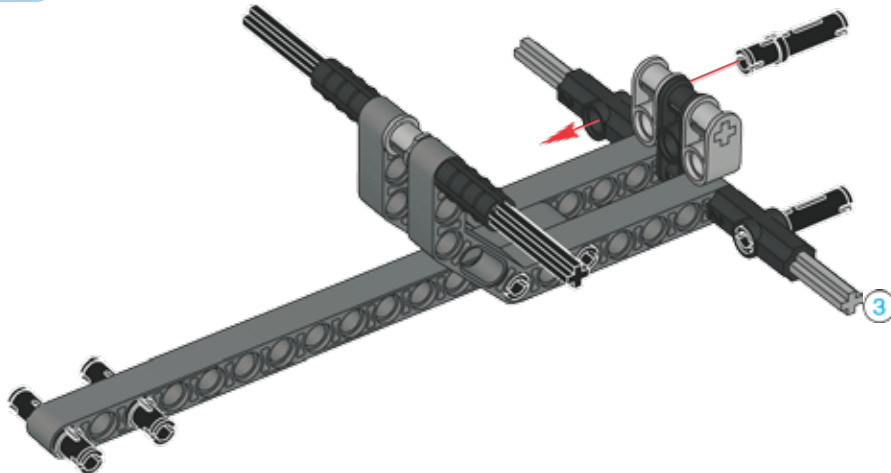




>



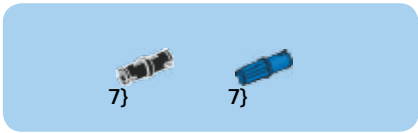
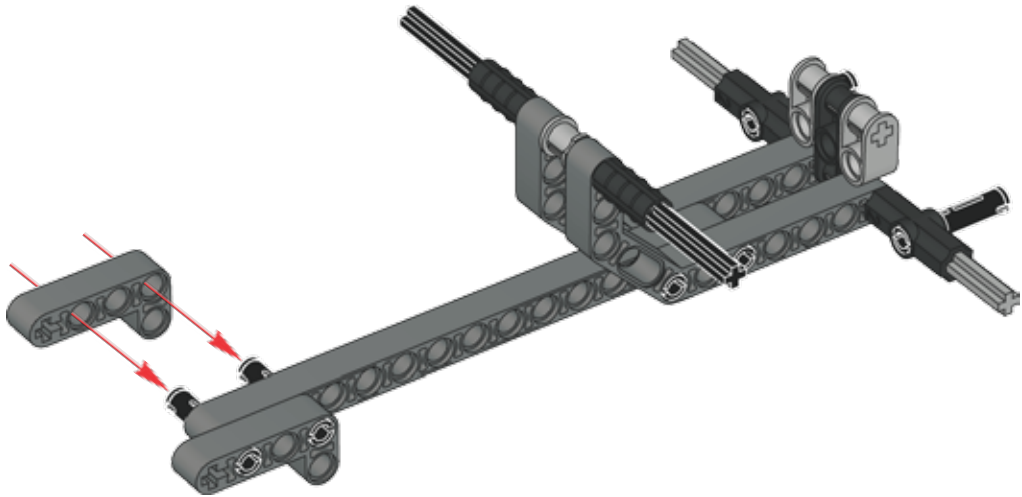
=



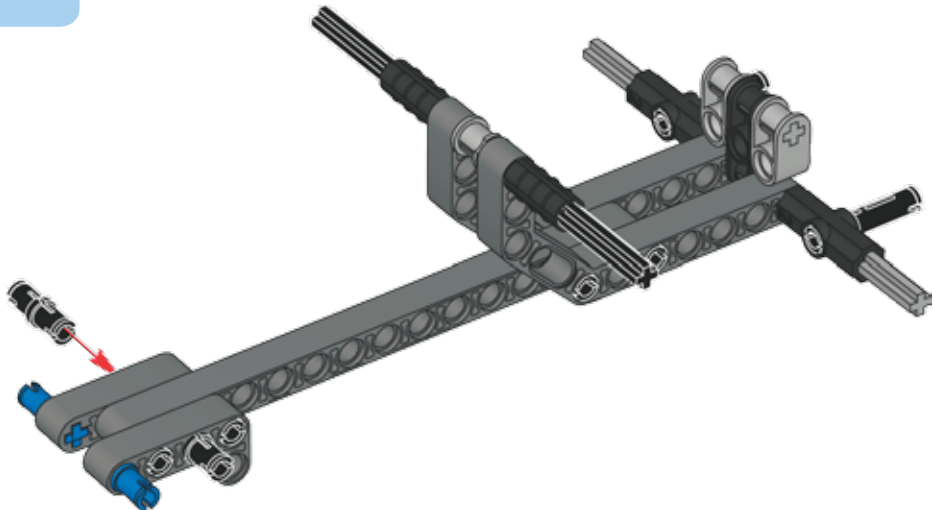
=



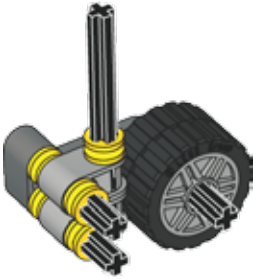
V



65



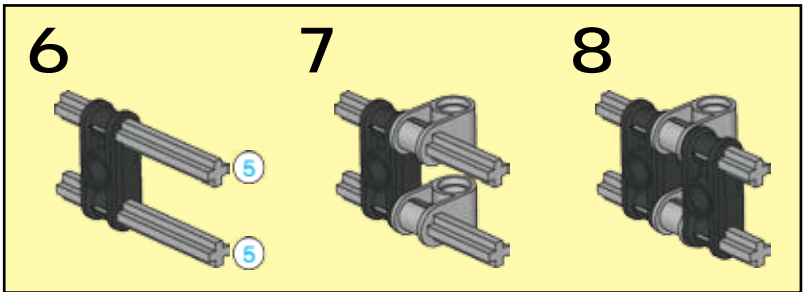
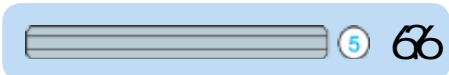
.



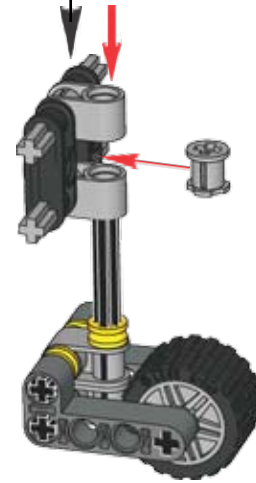
^



67

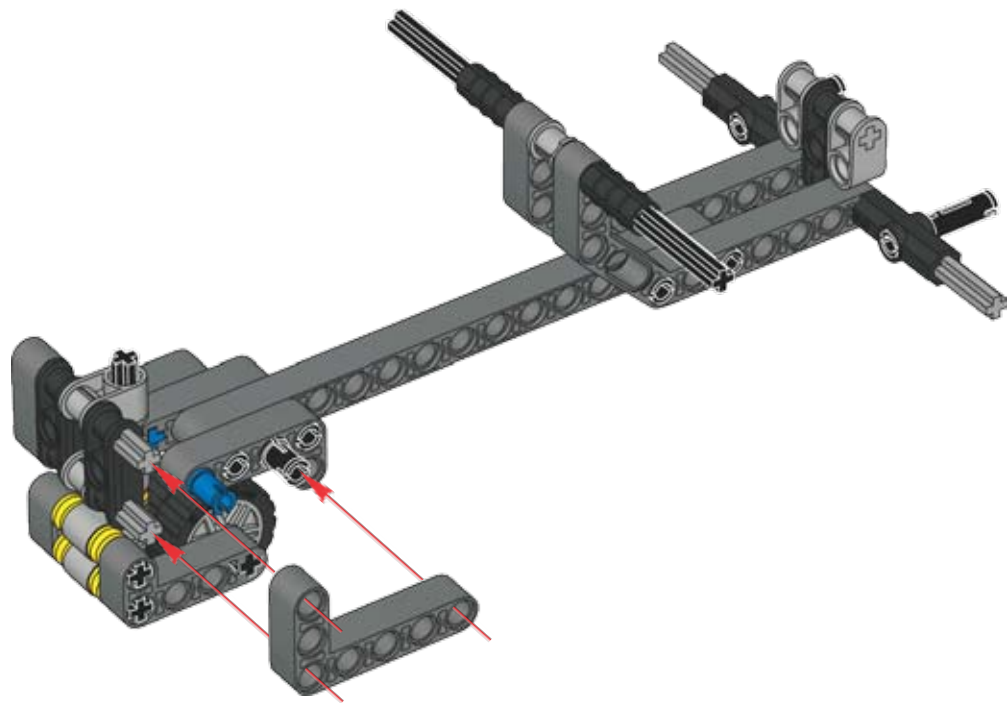


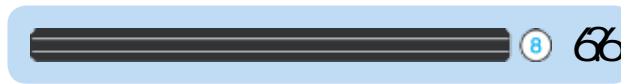
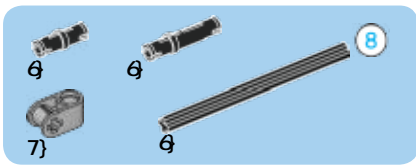
=



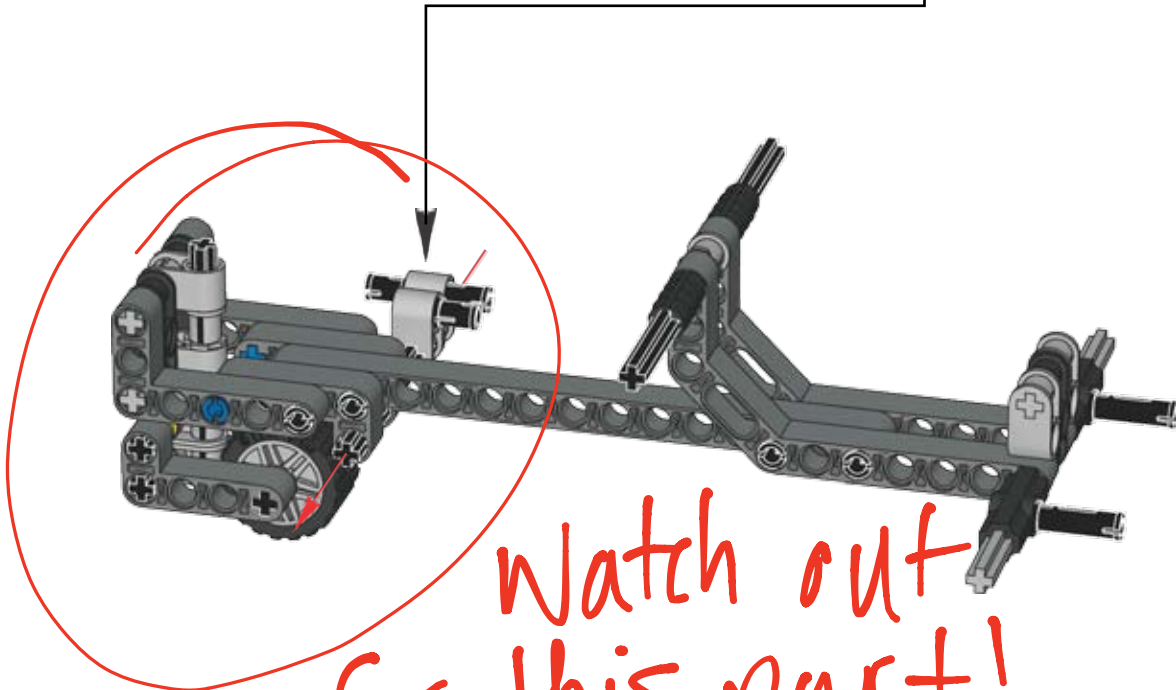
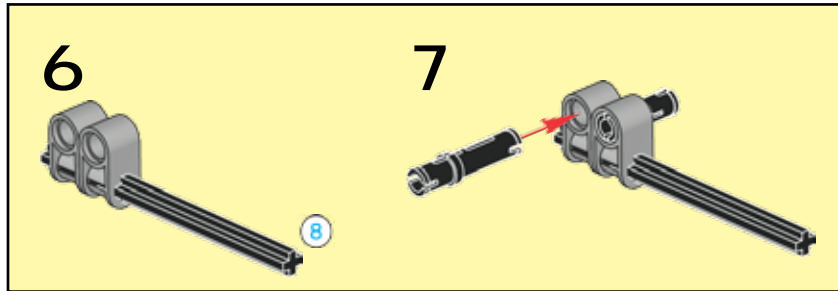
>







68

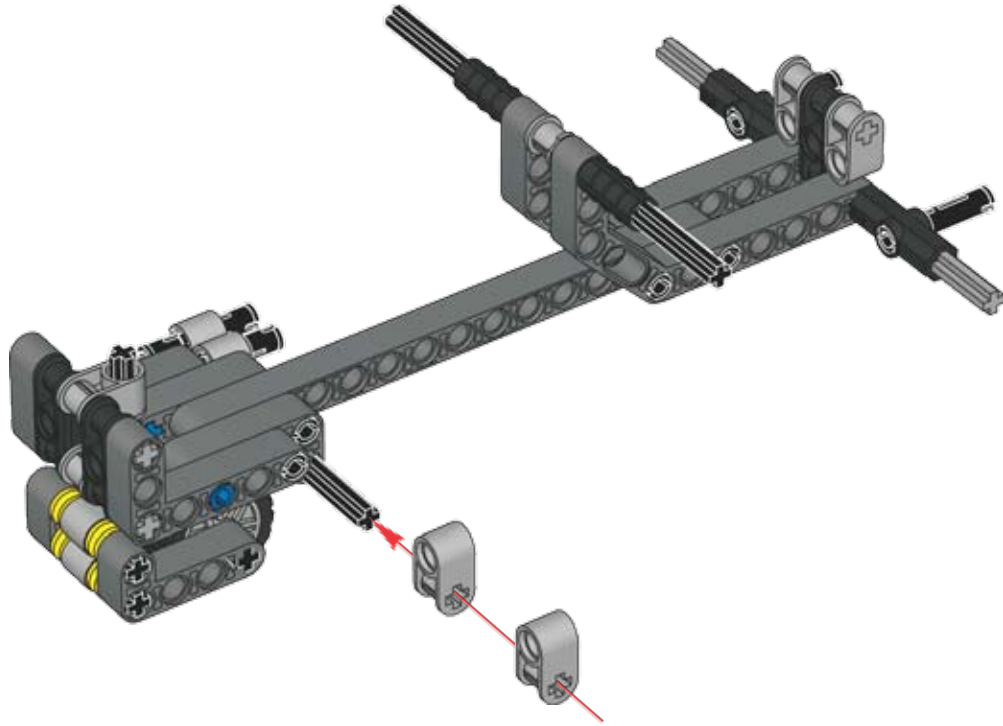


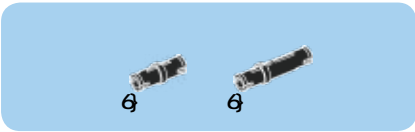
Watch out for this part!



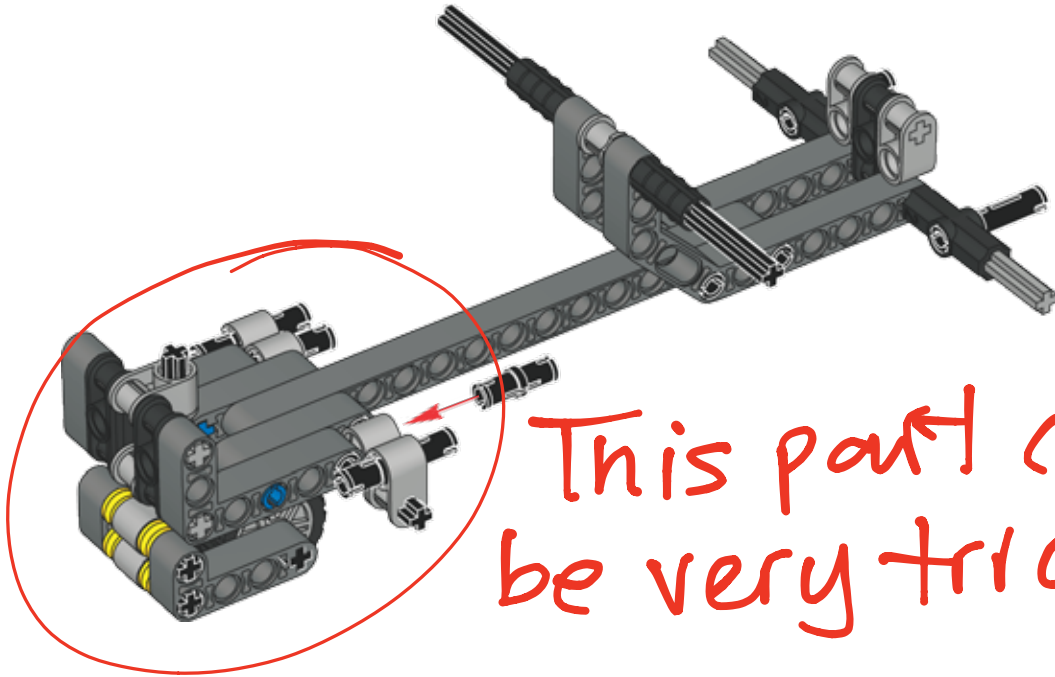
7)

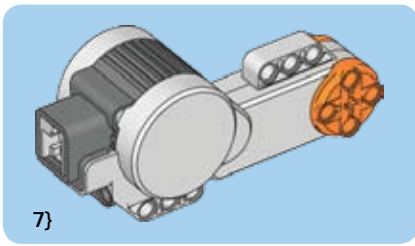
69



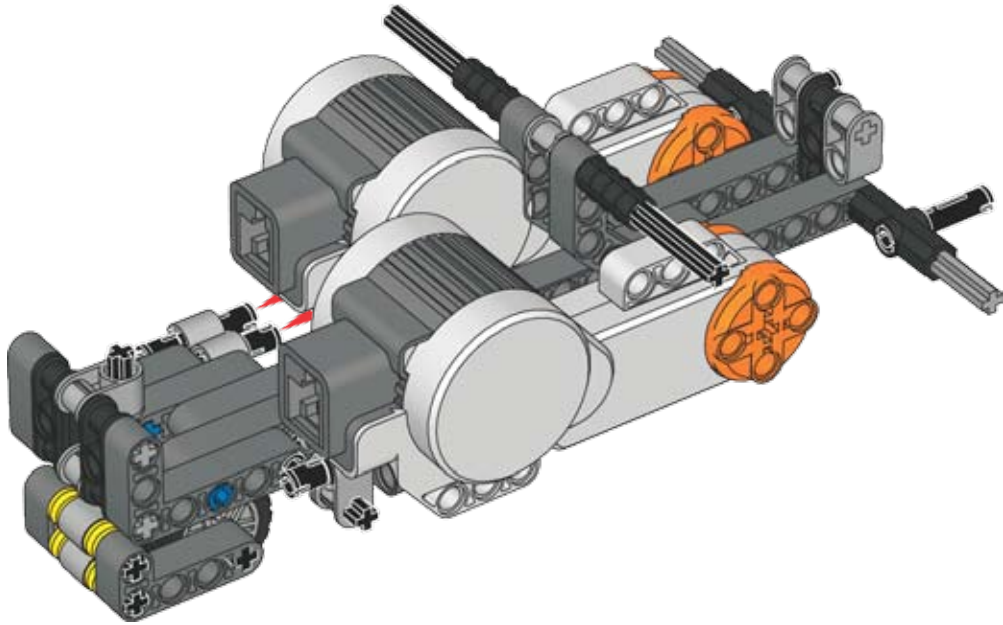


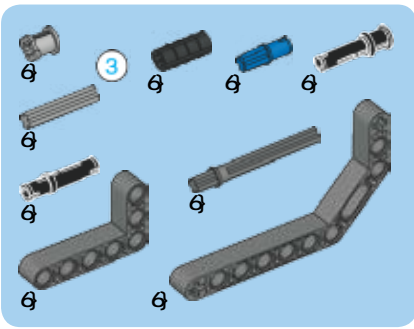
6



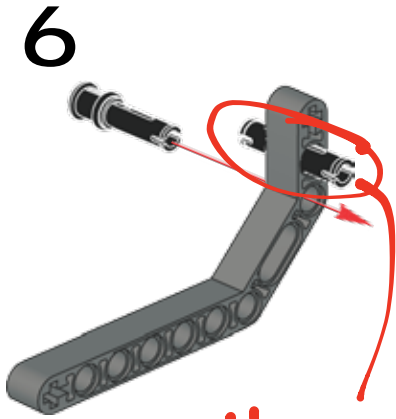


6



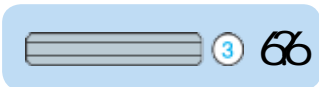


6

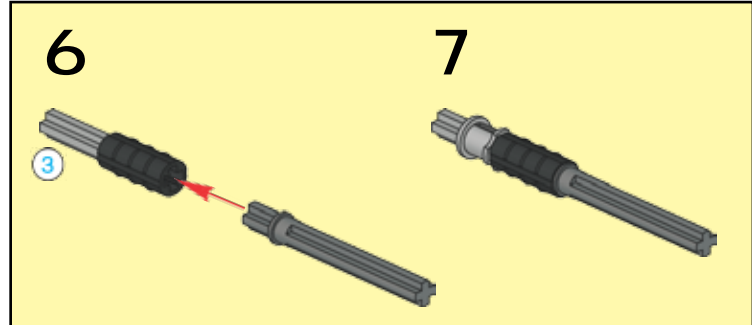
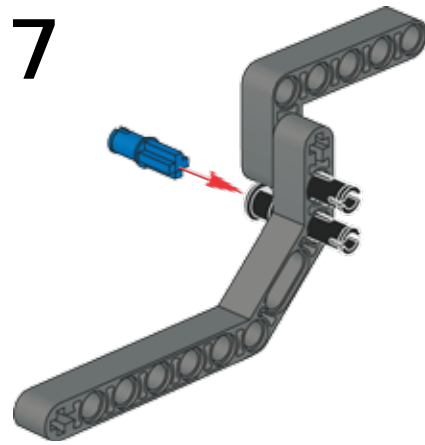


these are
blue in your
kit!

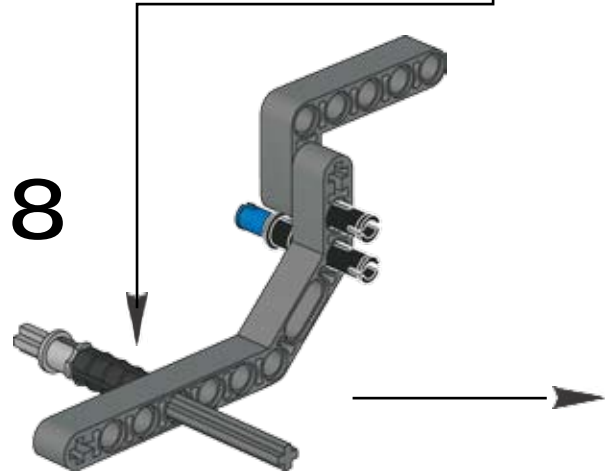
6

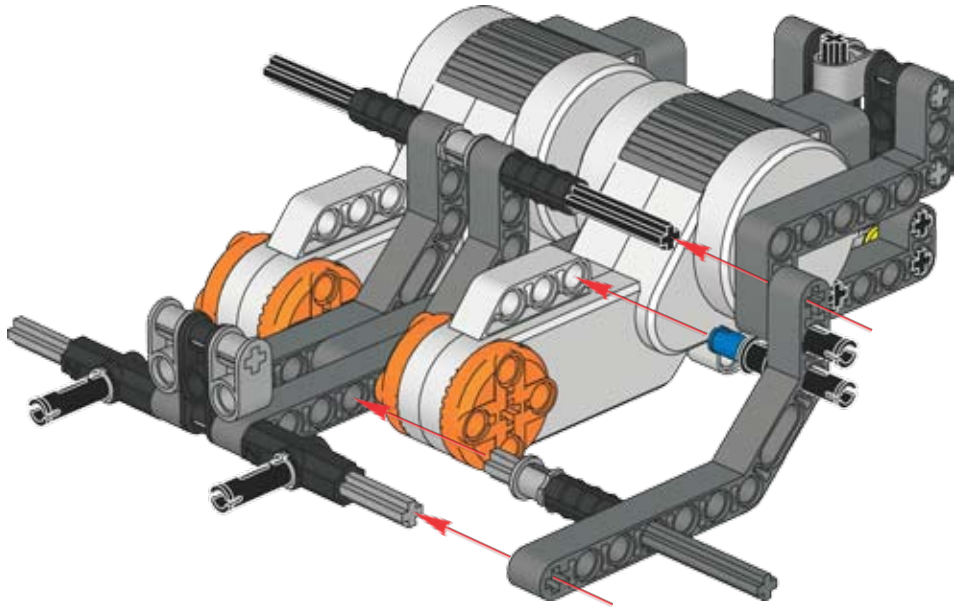


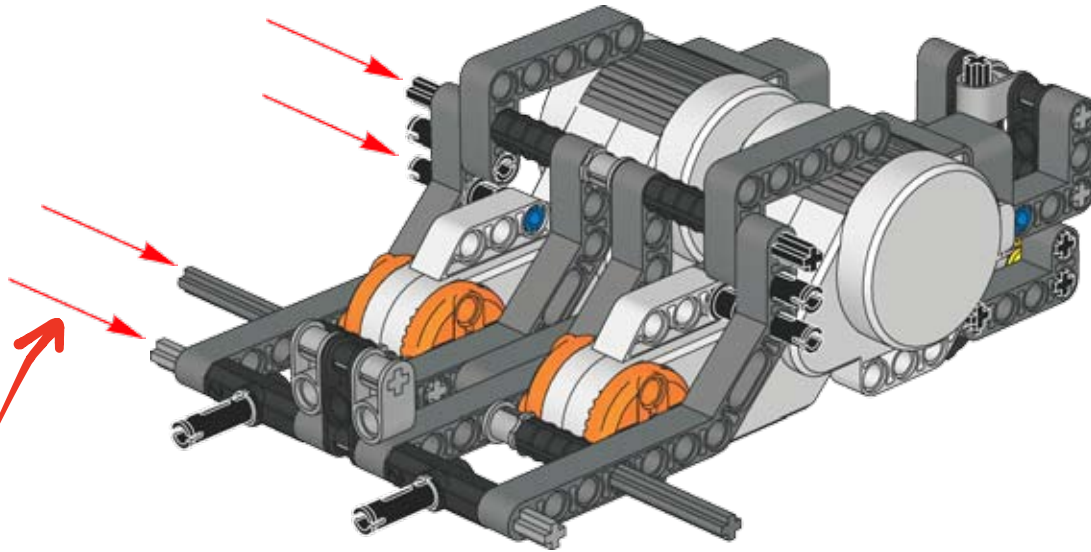
7



8





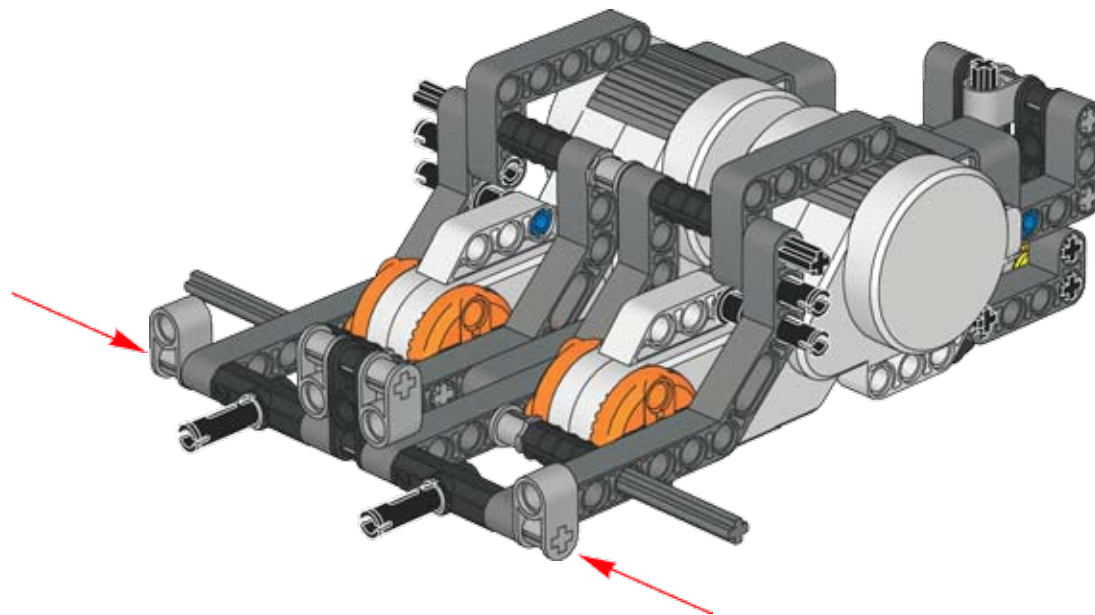


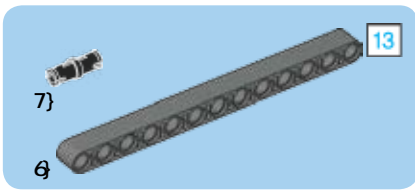
Goes all the way through!



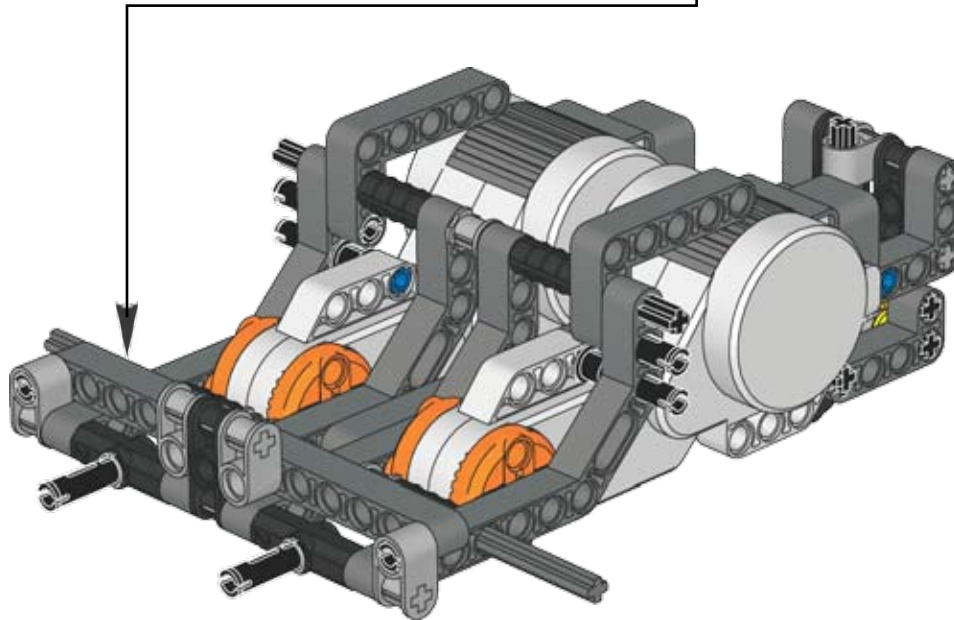
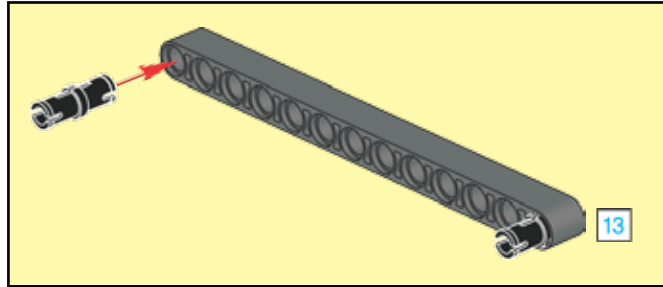
7)

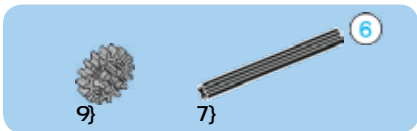
6



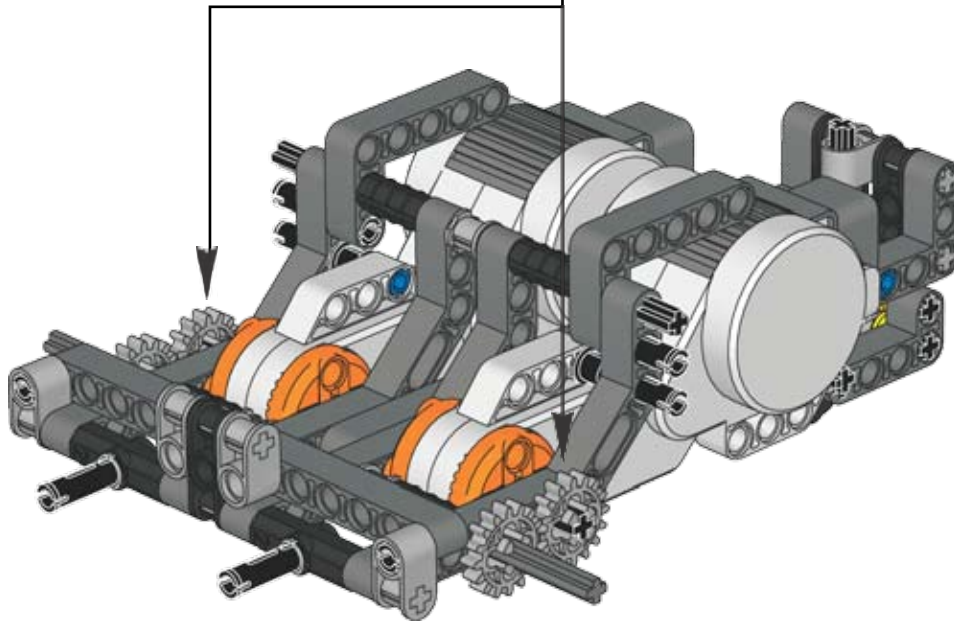
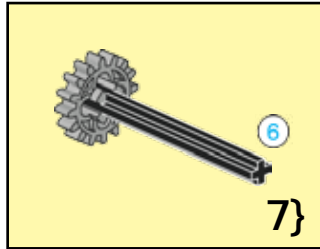


75





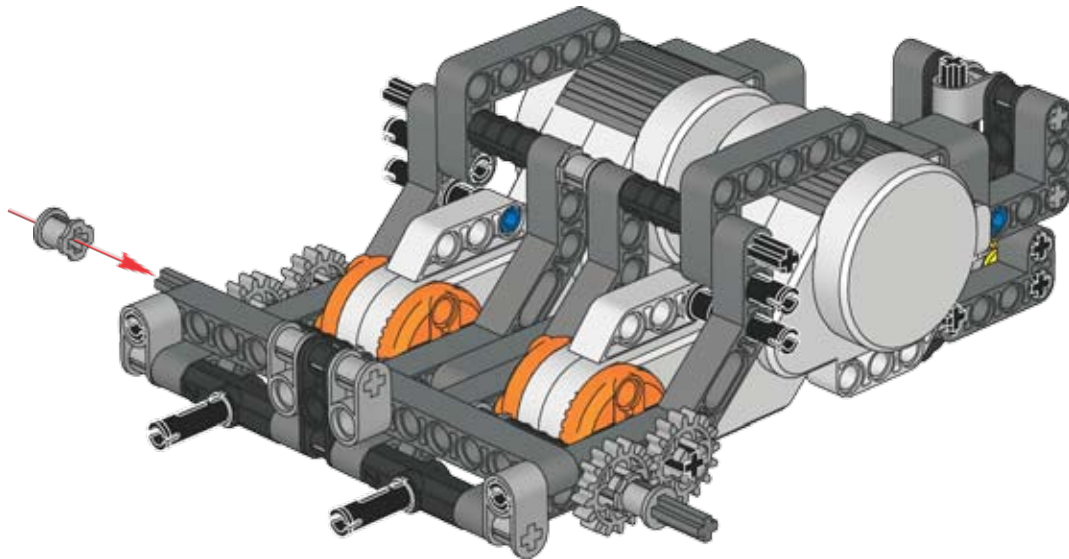
76

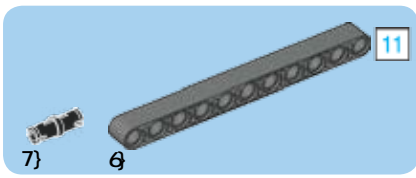




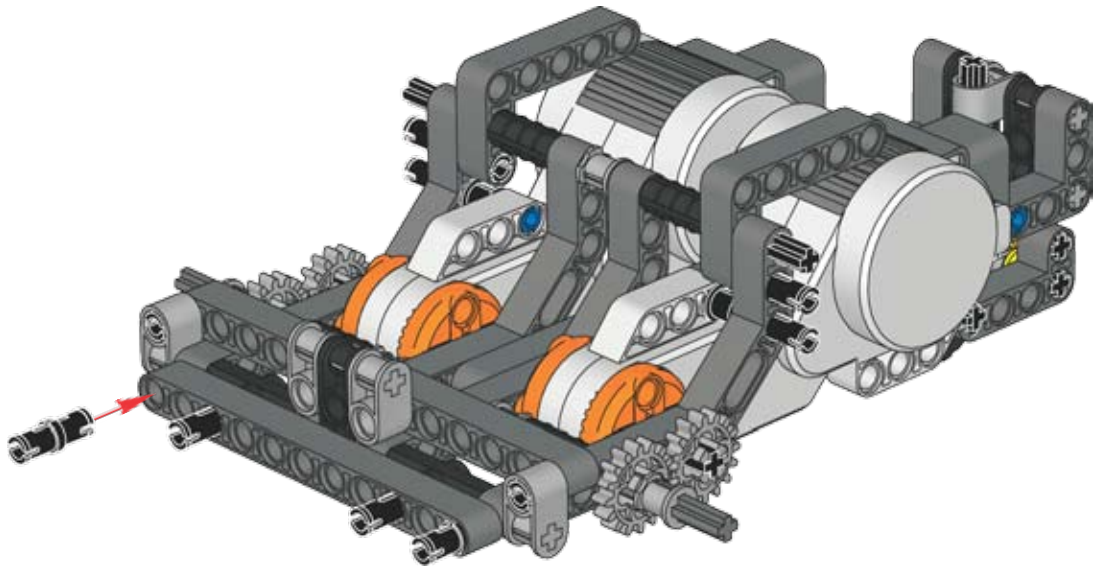
77

77

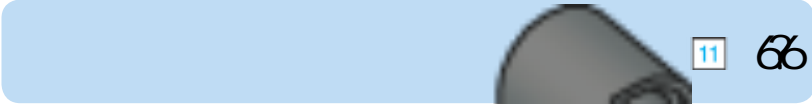


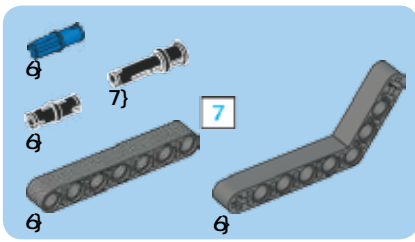


78

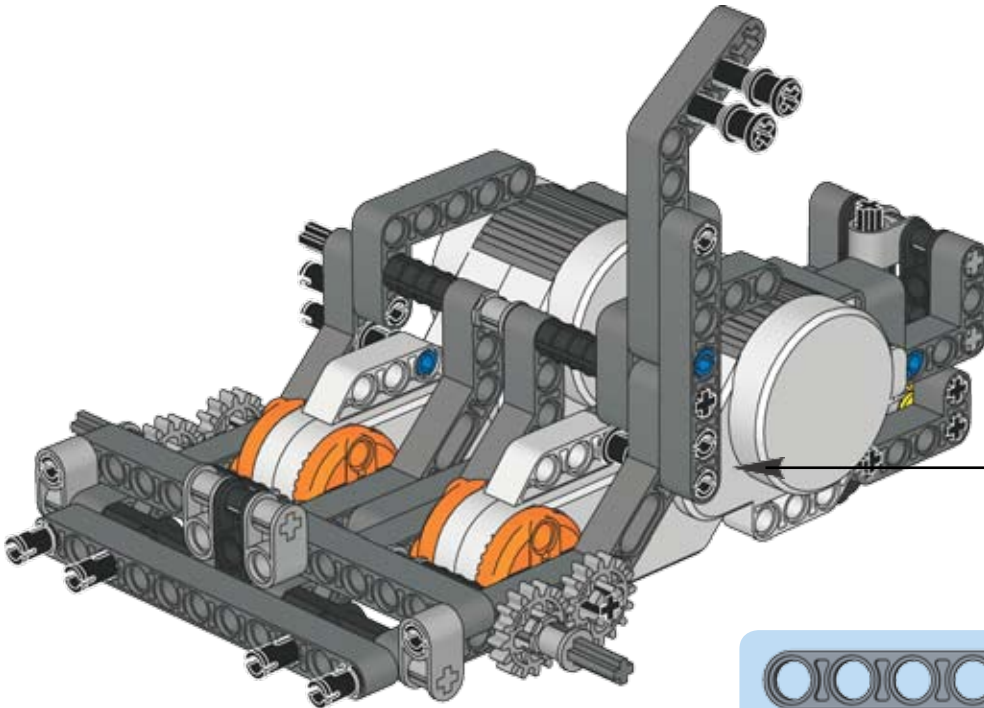
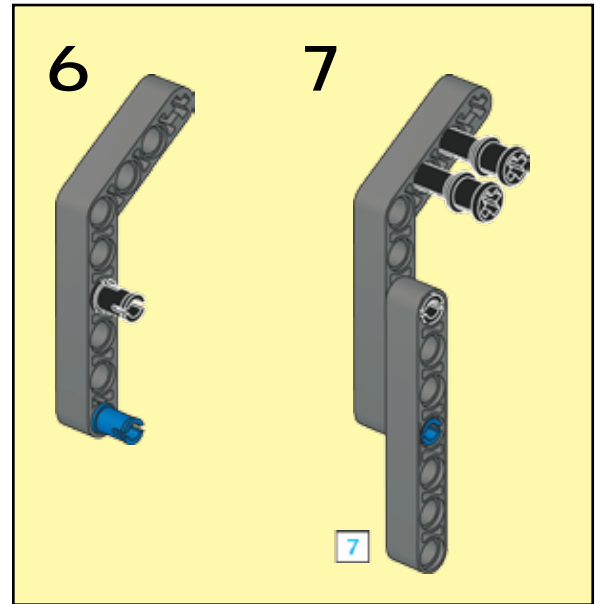


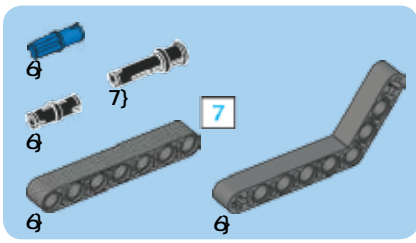
7;



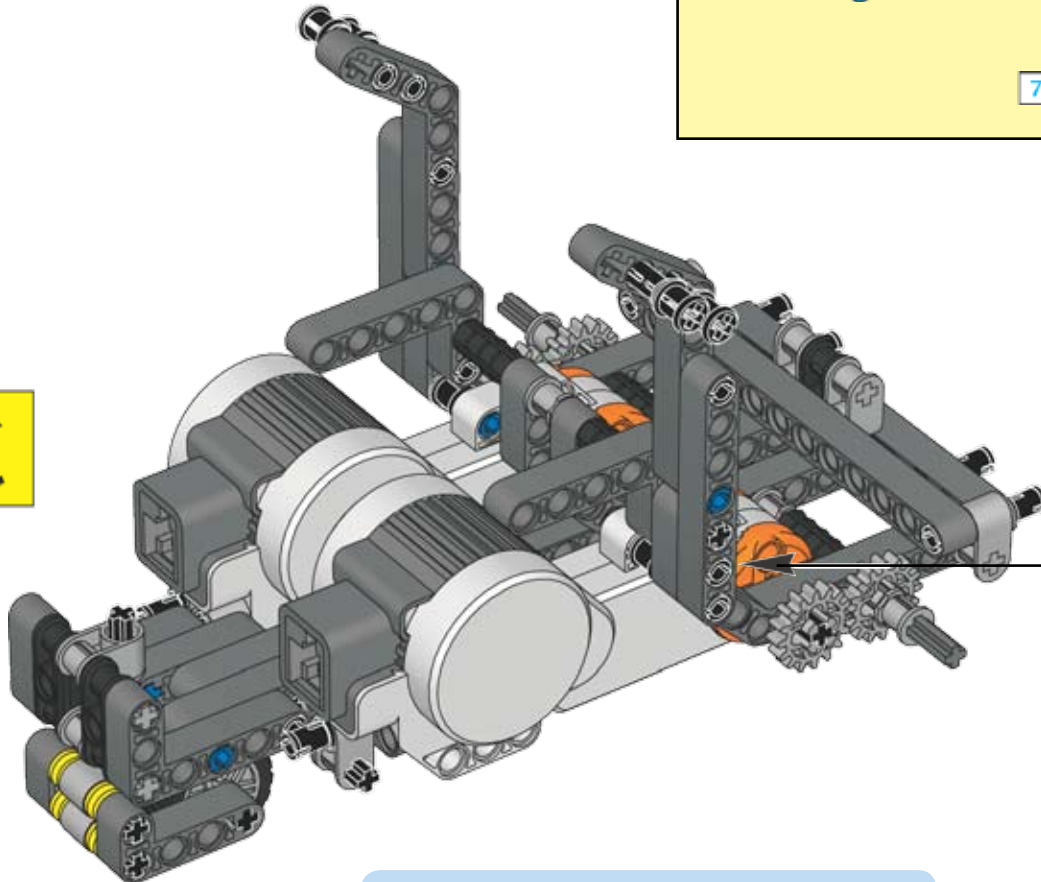
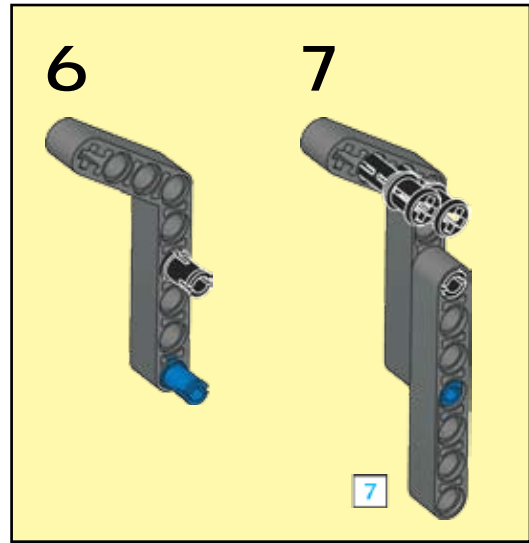


79



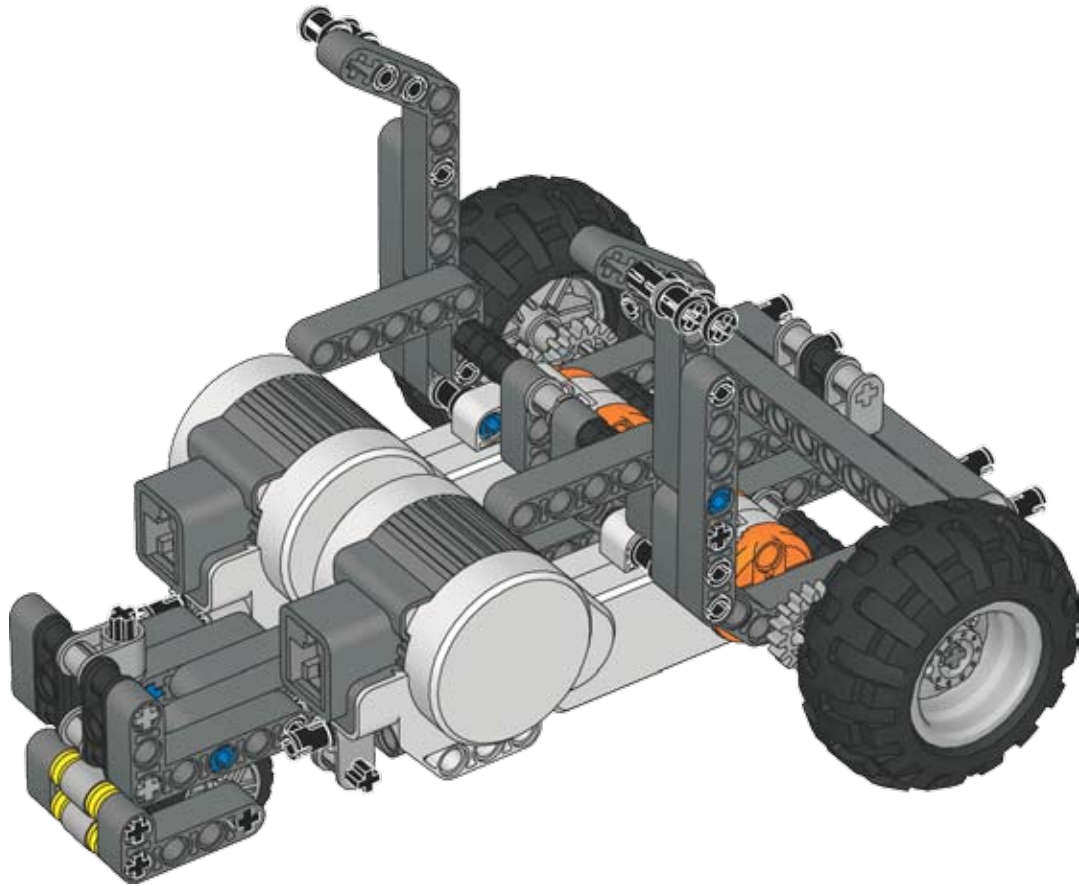


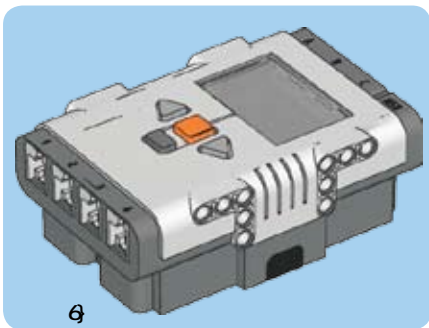
7:



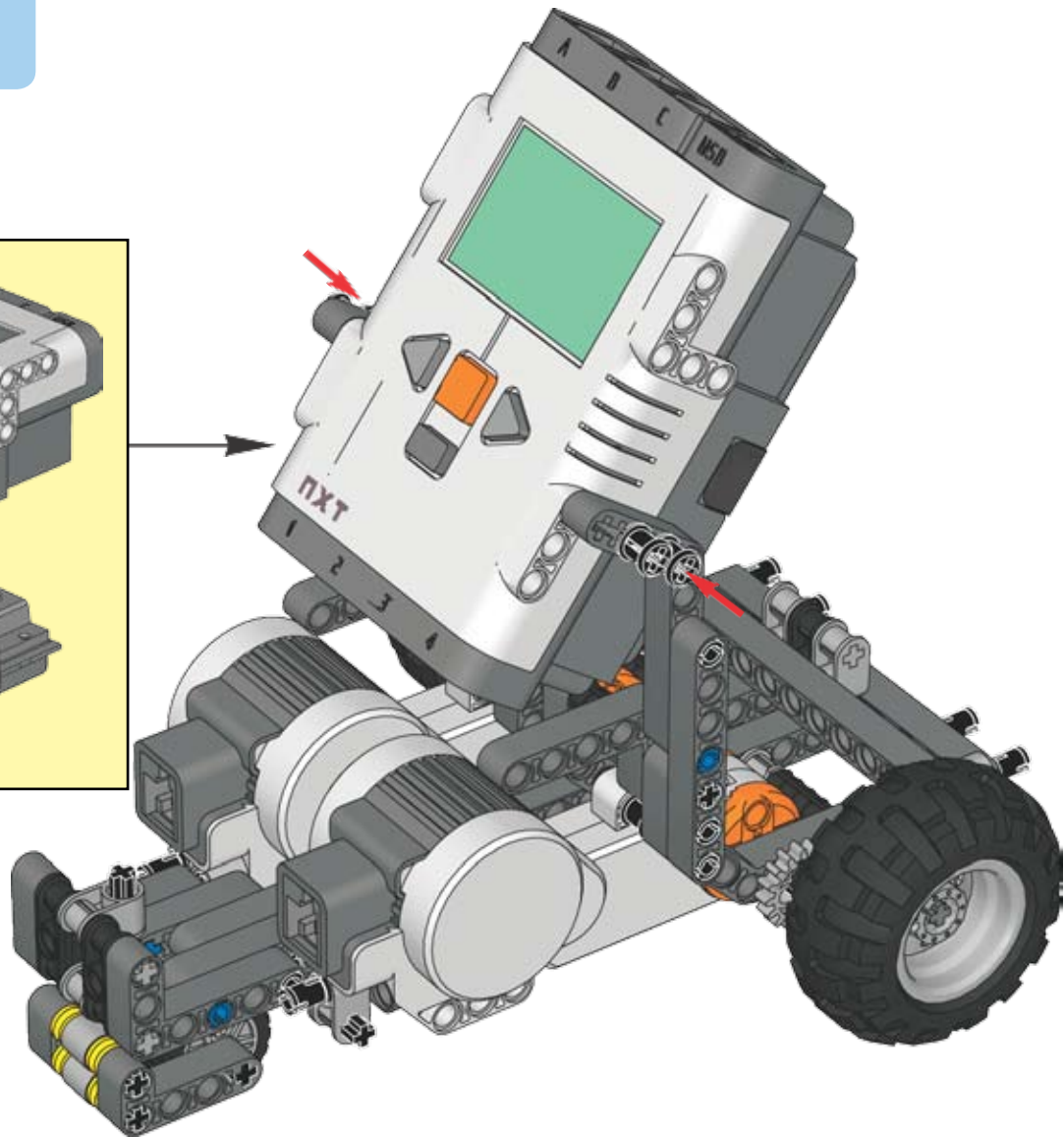
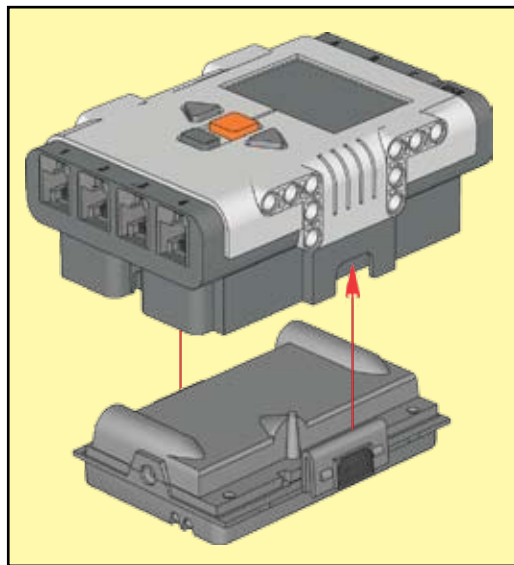


7;





7<



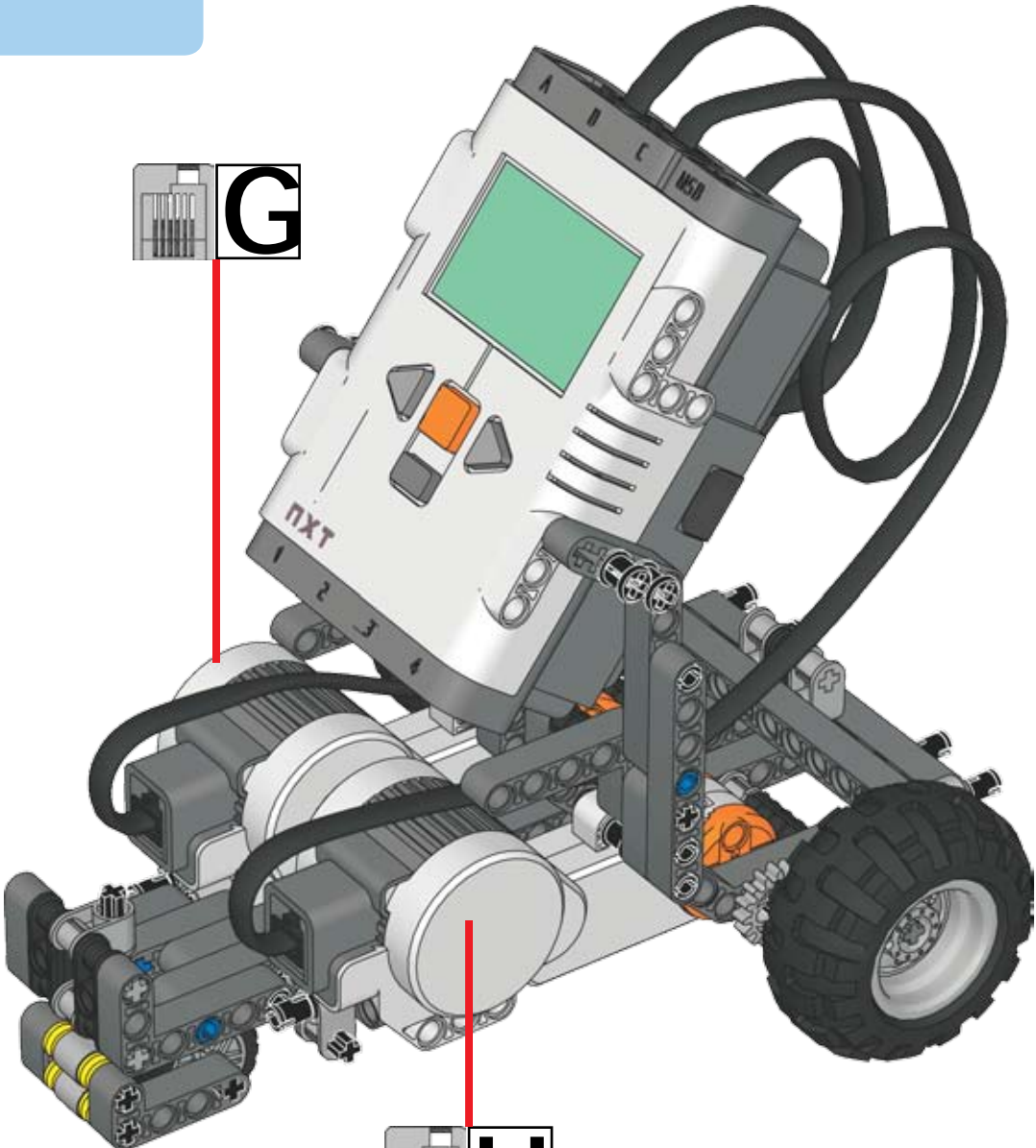
5%R 45%HM

7)

7=



G



H

Your **TaskBot** is now complete!

